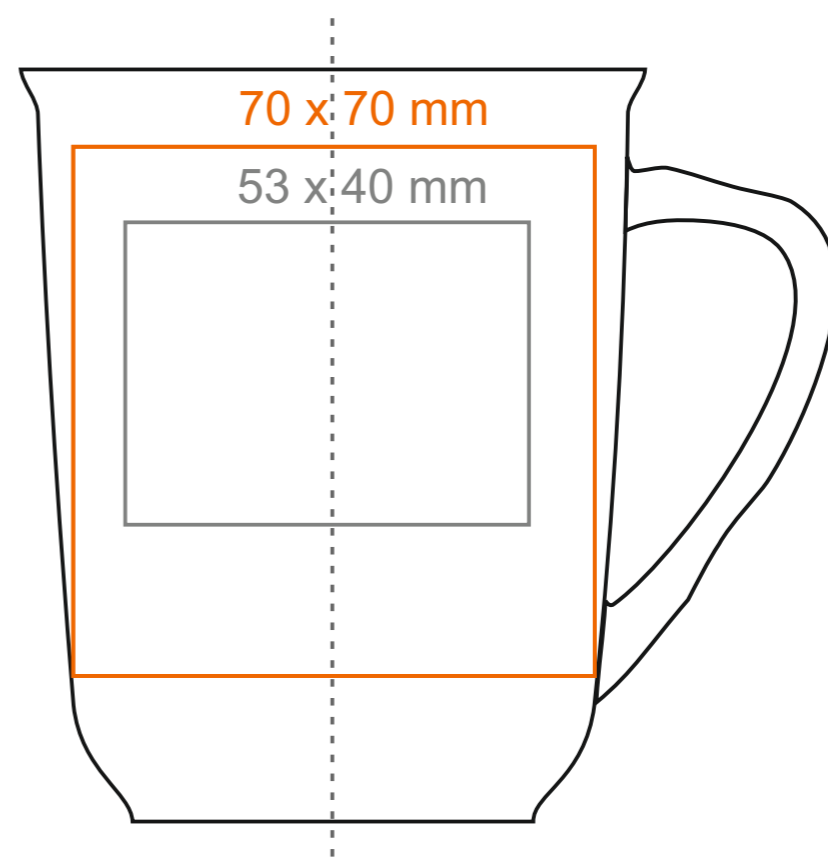
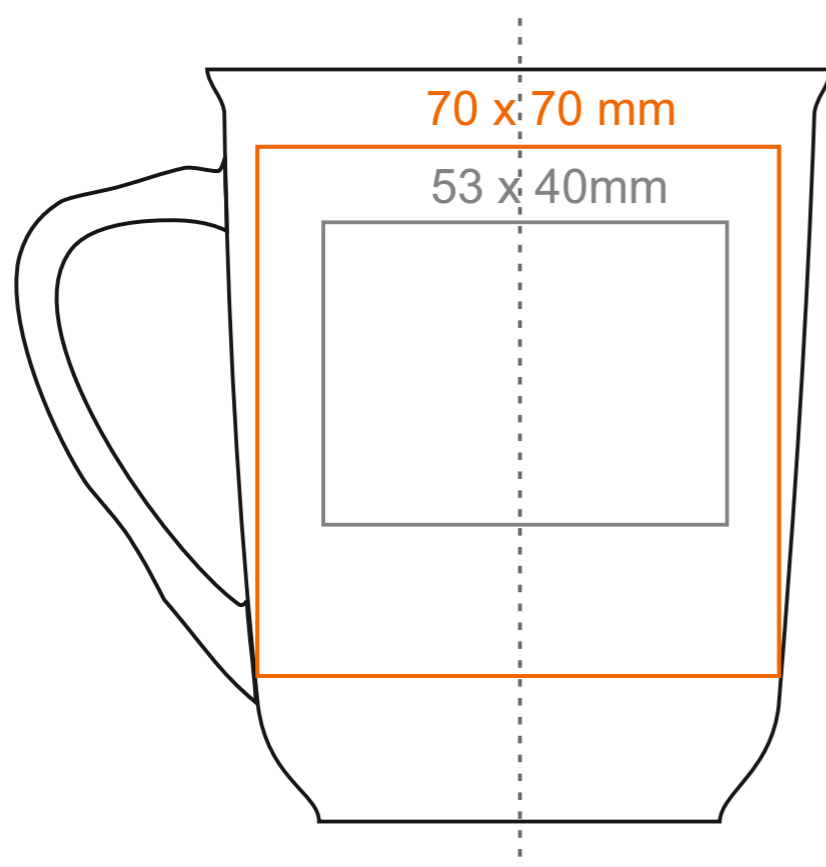
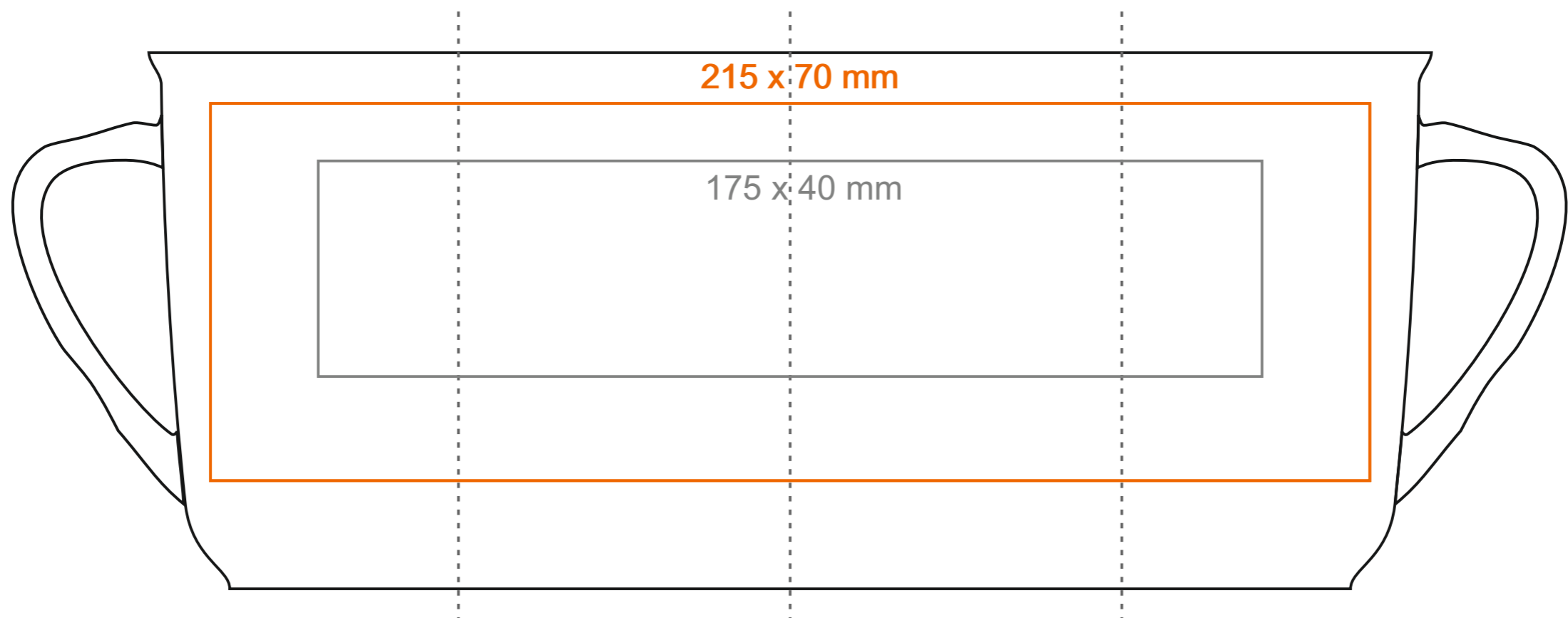


M_080 Ergo

280 ml / h: 100 mm / Ø 85 mm



Imprint on the handle
 Imprint on the inside
 Imprint on the bottom inside
 Imprint on the bottom outside

- 20 x 10 mm
- 50 x 20 mm
- Ø 40 mm
- Ø 40 mm

*In the case of projects for transfer print running outside of the standard print area, please contact our sales department.

[How to prepare print material](#)

meaning

- Transfer Print
- Sensitive Touch
- Direct Print